

Схема подключения однофазного привода NA006, NA009 (PCU, LCU) (NU-15700-C)

CLS : CLOSE LIMIT SWITCH (250VAC 6A)
 OLS : OPEN LIMIT SWITCH (250VAC 6A)
 ACLS : AUX. CLOSE LIMIT SWITCH (250VAC 6A)
 AOLS : AUX. OPEN LIMIT SWITCH (250VAC 6A)
 TP : THERMAL PROTECTOR (250VAC 15A)

| | CLOSE | OPEN |
|---------|-------|------|
| CLS 1-2 | | |
| CLS 1-3 | | |
| OLS 1-2 | | |
| OLS 1-3 | | |

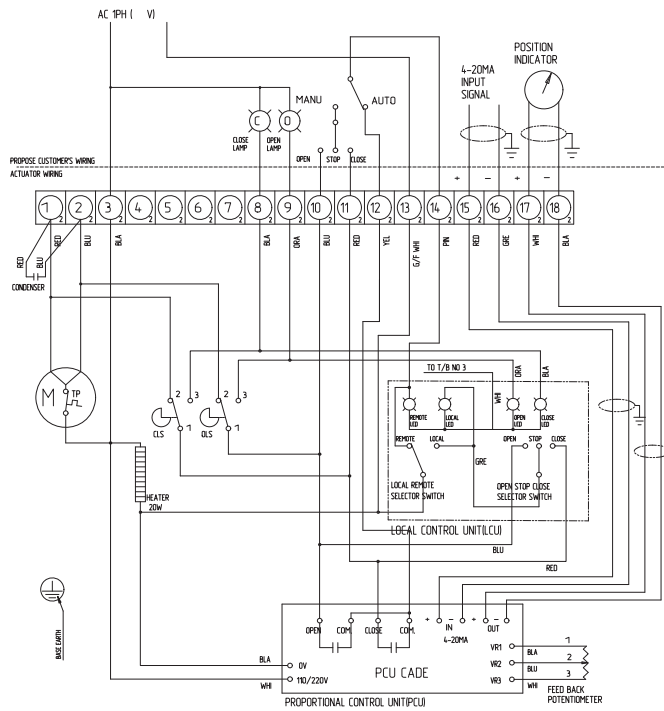


Схема подключения однофазного привода NA006, NA009 (RBP) (NU-16000-C)

CLS : CLOSE LIMIT SWITCH (250VAC 6A)
 OLS : OPEN LIMIT SWITCH (250VAC 6A)

| | CLOSE | OPEN |
|---------|-------|------|
| CLS 1-2 | | |
| CLS 1-3 | | |
| OLS 1-2 | | |
| OLS 1-3 | | |

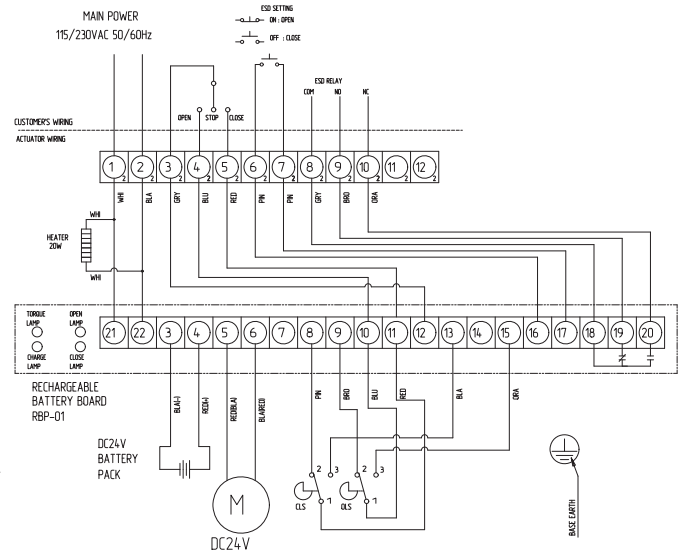


Схема подключения однофазного привода NA006, NA009 (LCU) (NU-17000-C)

CLS : CLOSE LIMIT SWITCH (250VAC 6A)
 OLS : OPEN LIMIT SWITCH (250VAC 6A)
 TP : THERMAL PROTECTOR (250VAC 15A)

| | CLOSE | OPEN |
|---------|-------|------|
| CLS 1-2 | | |
| CLS 1-3 | | |
| OLS 1-2 | | |
| OLS 1-3 | | |

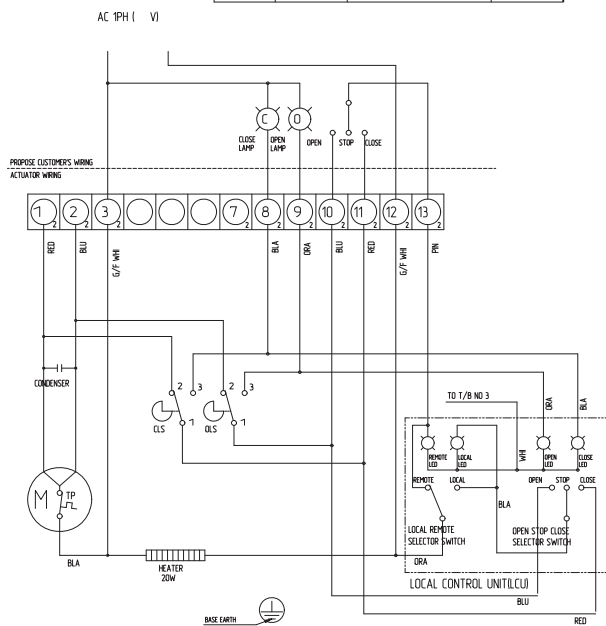


Схема подключения однофазного привода NA006, NA009 (LCU, CPT) (NU-17800-C)

CLS : CLOSE LIMIT SWITCH (250VAC 6A)
 OLS : OPEN LIMIT SWITCH (250VAC 6A)
 TP : THERMAL PROTECTOR (250VAC 15A)

| | CLOSE | OPEN |
|---------|-------|------|
| CLS 1-2 | | |
| CLS 1-3 | | |
| OLS 1-2 | | |
| OLS 1-3 | | |

