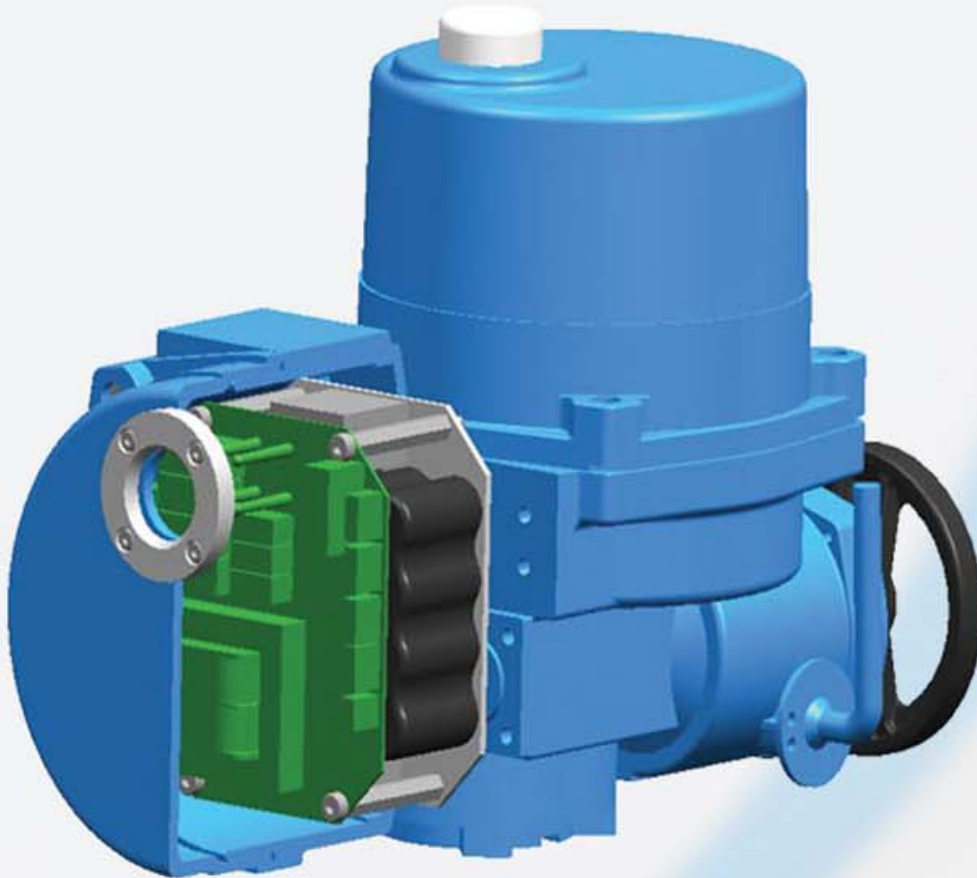


**EMICO Noah**®

## NA-SERIES RBP MANUAL

<http://www.emico.co.kr>



**EMICO**

EUNHA MACHINERY INDUSTRIAL CO.,LTD

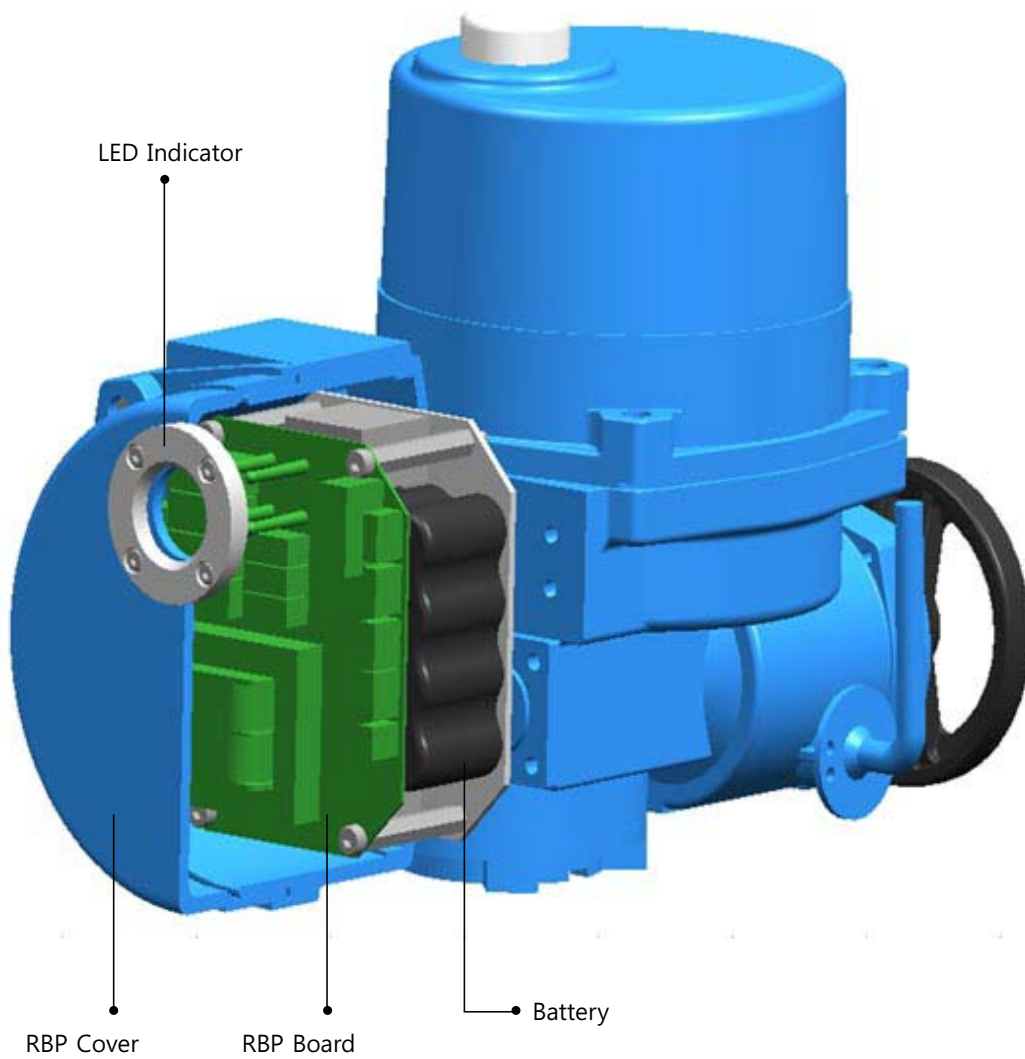
## 1. Performance

Model	Max Output Torque (N.m)	Operating Time (90') sec	Rated Current (A) AC110~230V , DC30V~35V	Weight (Kg)
NA006	60	17	2.2	15
NA009	90	17	3.5	15
NA015	150	20	4.5	17
NA019	190	20	5	17
NA028	280	24	6.5	21

## 2. Specification

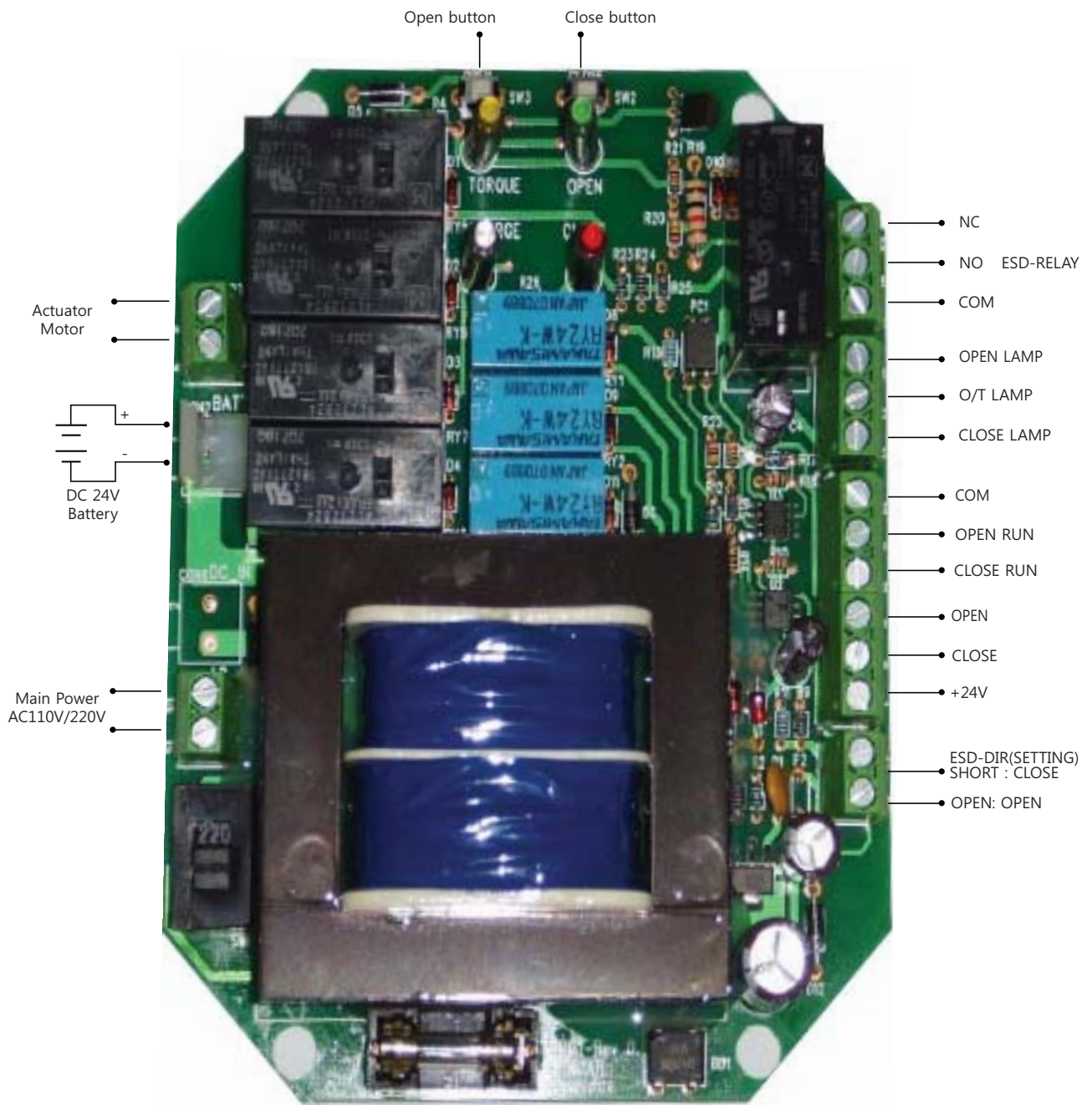
Power Supply	AC 120V / 230V 50/60Hz DC 30V ~ DC 35V	
Battery Size	89 x 111 x 44	
Charging Volt	DC 32V 1A	
Charging Time	3h	
Battery Type	Ni-MH 1.2V 20EA	
Emergency (Time)	15min (Max)	
Battery Weight	1.1kg	

### 3. Configuration (RBP Type)



## 4. Board Spec

### 4.1 Board Wiring ( AC 110V & 220V )



### 4-1-1. Lamp



Torque Lamp : Actuator over Torque

Open Lamp : Actuator Full Open

Close Lamp : Actuator Full close

Charge Lamp : Flickering -> Charging  
Lamp ON -> Charging Finish

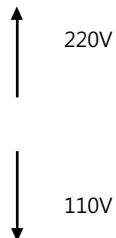
### 4-1-2. Battery Connector



Battery Connector



### 4-1-3. Main Power Change Switch



## 5. Warning



When Install the product Battery pack) please connects battery pack connector after input power wired. (For removal contrary to above order)



Input power should be DC 27V ~ DC 30V for battery pack's normal operation otherwise It would be caused less charge (Less DC 27V) or damage of products (More than DC 30V)

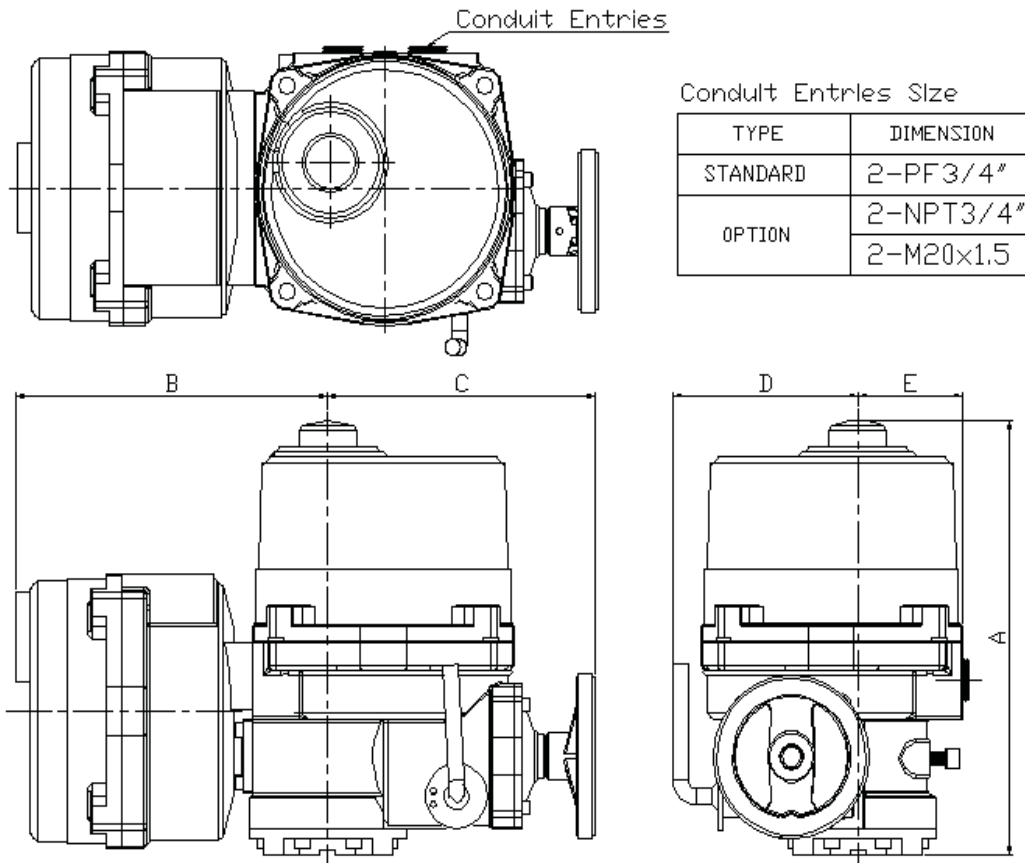


Charging LED lighting is ready to operation. (full charge)

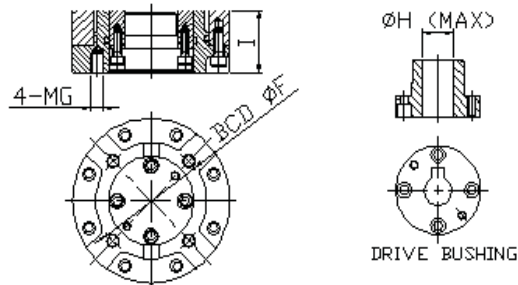


Charging LED blinking is needs recharge of battery. (Minimum chargingtime: 30 minutes)

## 6. Dimension



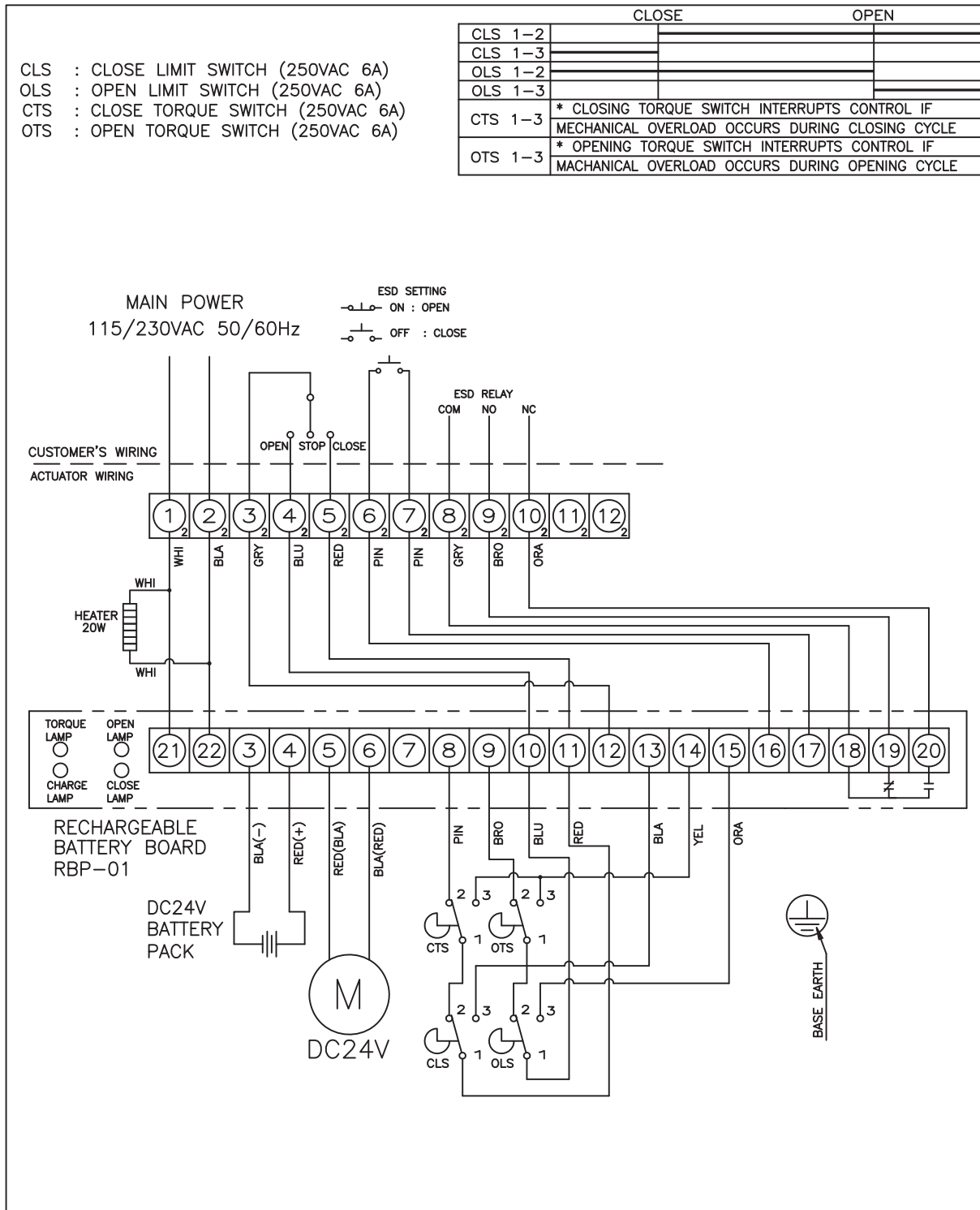
### Mounting and installation



TYPE	DIMENSION									Weight
	A	B	C	D	E	ØF	4-MG	ØH	I	
NA06/NA09	273	204	175	113	68	Ø70	M8	Ø22	43	15kg
NA05/NA19	273	225	184	139	85	Ø70/Ø102	M8/M10	Ø22	43	17kg
NA28	320	231	202	159	99	Ø102/Ø125	M10/M12	Ø32	52	21kg

## 7. Wiring

### 7-1. Main Power 110/230 VAC 50/60Hz





## 7-2. Main Power DC 27 ~ 30V

