

# ELECTRIC ACTUATOR SR SERIES 05 , 10

## 1. Performance

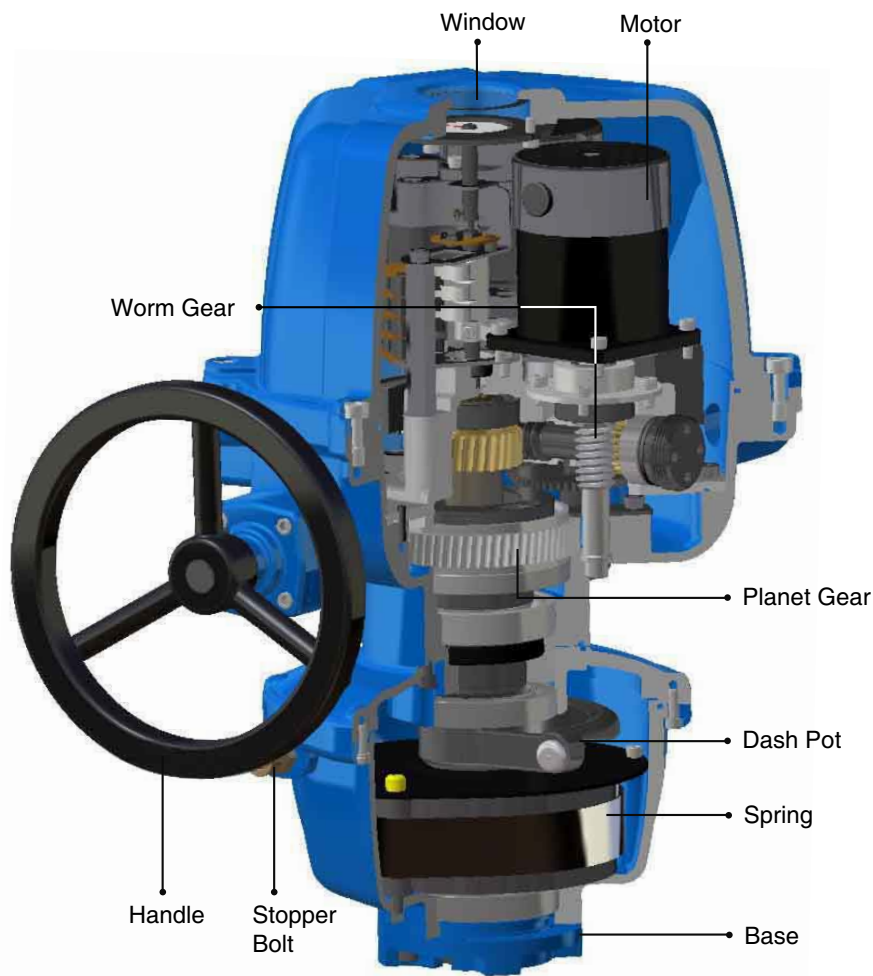


Model	Max Output Torque	Spring Return Time(90°)	Operating Time (90°) sec (ex) Faile Close				Duty(S2)	Motor
	Kg.m		110VAC Open/Close	220VAC Open/Close	380/440VAC Open/Close	24VDC Open/Close		
SR-05	5	1sec	14/13	15/13		20/10	15min	40W
SR-10	10	1sec	15/13	16/14		20/10	15min	60W
Model	Rated Current (A)				Mounting Base (ISO 5211)	Number Of Handle turns	Weight	
	110VAC	220VAC	380/440VAC	24VDC			Kg	
SR-05	2.6 / 1.5	1.9		3.7 / 1.6	F07	27	32	
SR-10	4.1	1.9		4.9	F07 / F10	27	37	

## 2. Specification

Enclosure	Explosion Proof & Watertight Enclosure Ex d II B T4, IP67
Ambient Temperature	-20°C ~ 55°C
Power Supply	1Ph 110/230VAC 50/60Hz
	3Ph 380/440VAC 50/60Hz
	DC24V
Limit Switch	Open/Close Limit Switch (250VAC 15A)
Travel Angle	90° ± 5°
Indicator	Continuous Position Indicator
Mechanical Stops	External Adjustable Screws
Space Heater	20W
Conduit Entries	2-PF 3/4"
	Option : 2-M20, 2-NPT 3/4"
Lubrication	Shell ALVANIA EP2
Materials	Aluminium Alloy
Surface Treatment	Anodizing
Coating	Polyester (TGIC - Free)

## 3. Actuator Configuration



### Features

▶ Sealing

Standard enclosure with o-ring sealing is watertight to IEC IP67, NEMA 4 and 6. The actuator is available with optional explosion proof enclosure.

▶ Motor

Squirrel caged induction motor is totally enclosed type with high stall torque and low inertia force to suit seating/unseating of valves. Integral thermal protection to prevent damage to the single/three phase motor

▶ Wiring

Electric wiring of control circuit is standard size for single and three phase power supply in a signal module. Multiple terminal contacts sufficiently cover additional requirements such as auxiliary contacts for DCS, interlocking and other options.

▶ Adaption

Base mounting is standard to ISO 5211  
Drive bush is removable for machining to valve stem requirement. The actuator position on the valve can be selected for 4 positions by means of 4 bolt holes in the drive bush.

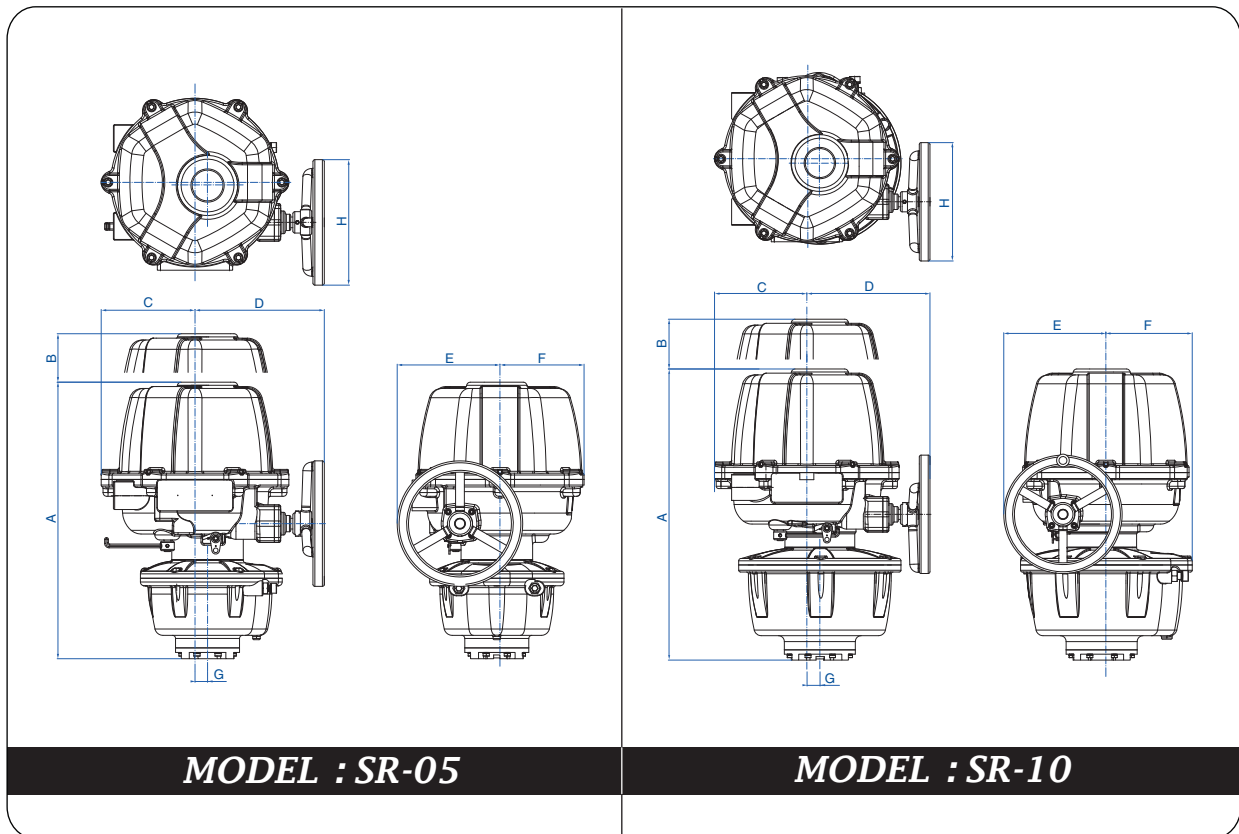
▶ Heater

A space heater inside the actuator prevents condensation due to temperature and weather changes. Standard 20W heater keeps all electrical components in the actuator clean and dry.

▶ Limit Switches

The limit switch is activated by means of a simple and yet reliable cam mechanism mounted and driven by the center column. The valve position can be accurately and easily set with the simple adjustable switch mechanism. The set position is permanent and is not affected by over-travel resulting from manual operation.

## 4. Dimension



Model	A	B	C	D	E	F	G	H
SR-05	441	155	149.5	206	164	134	20	200
SR-10	492	175	156	208	172	146	22	200