



# NOAH ACTUATOR

## ALS Switch Assembly Manual

[www.emico.co.kr](http://www.emico.co.kr)

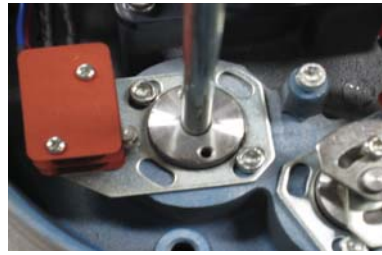
09.11.17



**EMICO**

EUNHA MACHINERY INDUSTRIAL CO.,LTD

## 1. CLS & OLS Limit Switch disassemble



- ▶ Tool : 3mm  
T-wrench

## 2. Limit Switch Disassemble



- ▶ M5 Bolt Disassemble
- ▶ Tool : 4mm  
T - Wrench

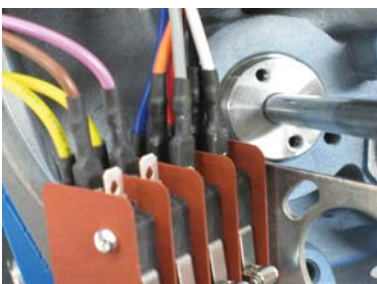
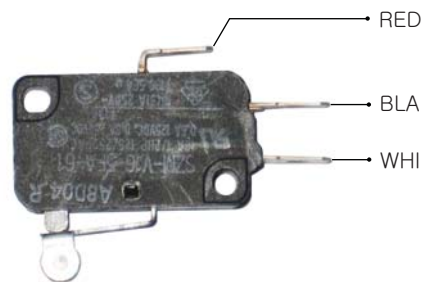
### 3. ALS Assemble



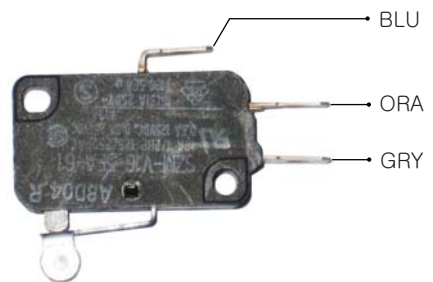
### 4. ALS Micro Switch Wiring



▶ CLS Wiring



▶ OLS Wiring



## 5. ALS Limit Switch Assemble



- ▶ Tool : 4mm  
T - wrench

## 6. CLS Switch Assemble



- ▶ Tool : 3mm  
T - wrench

## 7. OLS Switch Assemble



- ▶ M4 Bolt  
OLS CAM Switch  
Ring



- ▶ Tool : 3mm  
T - wrench

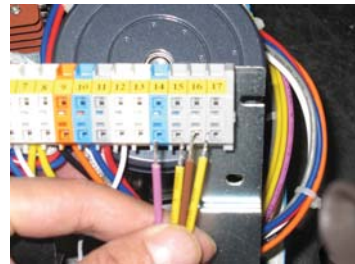
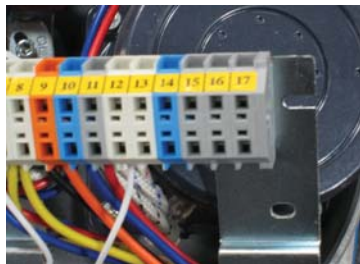


## 8. ALS Switch Assemble

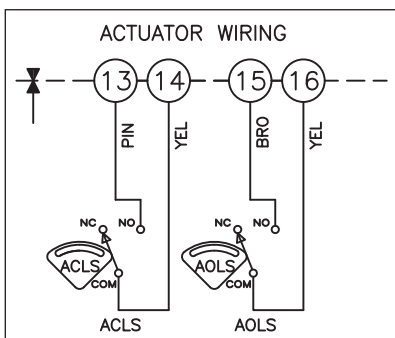


▶ Tool : 3mm  
L - wrench

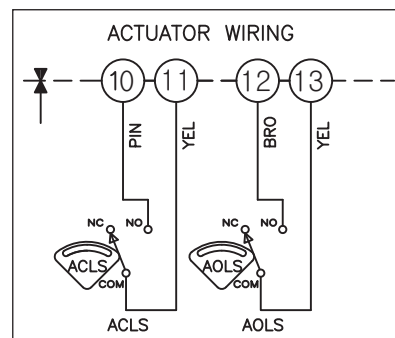
## 9. Terminal Wiring



▶ Tool : " - " Driver



1PH NA015 ~ NA200



1PH NA006 ~ NA009